

**EVERDIGM** Attachment

# Compactor



**Tools that make people move**

Hydraulic Compactor Series  
Turning your job into more value!



**Multi-purpose Compactor**  
Multiprocessor for professional demolition

## Features and benefits

### Easy and versatile mounting

Direct Mount frame : The pin-on type frame is designed to accept a variety of slip-fit bushings and pins, resulting in versatile installation on any carrier that does not require OEM's pin-to-pin distance

### Single hose block

All hoses are routed within the frame and connected to a mono hose block located on the back. It keeps the hoses from easy damage

### Cushion rubber

Specially designed cushion rubbers protect machine and operator from vibrations

### Heavy duty gear motor

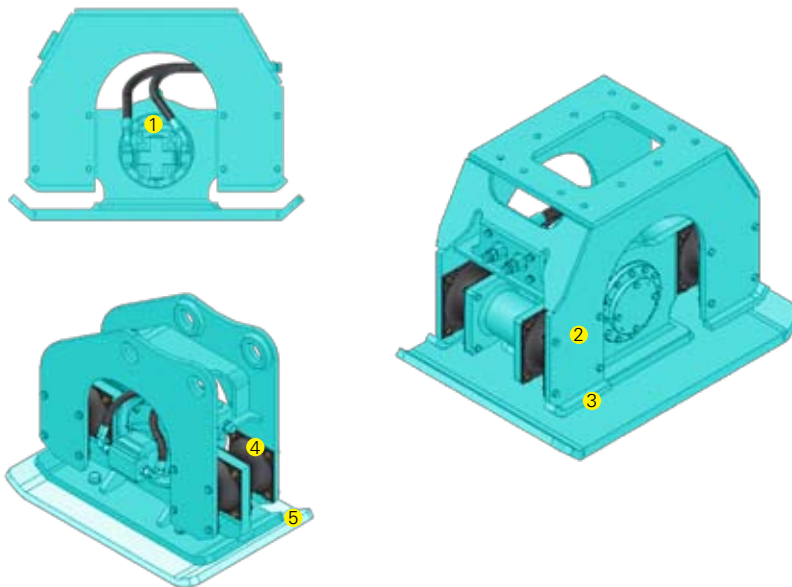
Heavy duty and high efficiency gear motor with splined shaft and high pressure motor seals prevent easy damage caused by pressure shock during startup and shutdown

### Self-aligning bearing

Self-aligning double row spherical roller bearing provides a long service life to rotating components

### Easy of maintenance

All grease fittings are located for easy access



### 1. Oil bath type

Compaction weight chamber is filled with gear oil, thus, it eliminates periodical greasing & oil changing interval is now changed to 1 year

### 2. Durable frame design

durability of main body is increased by flat and solid frame

### 3. Stopper

It limits excessive pressing force from excavator

### 4. Wider cushion rubber for EHP805-V

It increases the durability of cushion rubber

### 5. Additional compacting plate

Additional compacting plate can be supplied as an option when it requires

## Specifications

| Item                      | Unit           | EHP805 NarrowType (Standard) | EHP805 GeneralType (Option) | EPC10     | EPC15     | EHC20     | EHC30       |
|---------------------------|----------------|------------------------------|-----------------------------|-----------|-----------|-----------|-------------|
| Impulse force             | tonne          | 2.8                          | 2.8                         | 4.0       | 6.4       | 11.2      | 17.3        |
| Weight                    |                |                              |                             |           |           |           |             |
| Adapter mount type        | kg             | 242                          | 343                         | 400       | 685       | 1,000     | 1,340       |
| Direct mount type         | kg             | 238                          | 339                         | 409       | 709       | 1,065     | 1,373       |
| Height(H)                 |                |                              |                             |           |           |           |             |
| Adapter mount type        | mm             | 676                          | 701                         | 630       | 731       | 860       | 944         |
| Direct mount type         | mm             | 711                          | 736                         | 796       | 941       | 1,160     | 1,235       |
| Width(W)                  | mm             | 300                          | 550                         | 610       | 740       | 860       | 1,000       |
| Base plate(W X L)         |                |                              |                             |           |           |           |             |
| Dimension                 | mm             | 300x796                      | 550x929                     | 610x900   | 740x1,050 | 860x1,200 | 1,000x1,050 |
| Compaction area           | m <sup>2</sup> | 0.24                         | 0.51                        | 0.55      | 0.78      | 1.03      | 1.30        |
| Oil flow required         | lpm            | 45 - 65                      | 45 - 65                     | 50 - 72   | 80 - 116  | 110 - 162 | 160 - 220   |
| Max. cycle per minute     | rpm            | 2,100                        | 2,100                       | 2,000     | 2,000     | 2,000     | 2,000       |
| Operating pressure        |                |                              |                             |           |           |           |             |
| Free load                 | bar            | 30 - 50                      | 30 - 50                     | 30 - 50   | 30 - 50   | 30 - 50   | 30 - 50     |
| With load                 | bar            | 100 - 220                    | 100 - 220                   | 100 - 138 | 100 - 138 | 100 - 138 | 100 - 138   |
| Applicable carrier weight | tonne          | 4 - 6                        | 4 - 6                       | 6 - 10    | 11 - 16   | 17 - 25   | 26 - 40     |

### Head Office & Factory

332-3, Janggwan-ri, Jincheon-eub, Chungcheongbuk-do, Korea  
Tel\_+82-43-530-3300 Fax\_+82-43-530-3429

### Sales & Marketing

Room #1203, Woolim Lion's Valley 2, 680 Gasan-Dong, Geumcheon-Gu, Seoul, Korea  
Tel\_+82-2-801-0800 Fax\_+82-2-801-0899

